

4. USE LITHIUM-ION BATTERY PACK ONLY ON OUR SERIES OF LIGHT TOWERS.

The battery pack and charger are not compatible with other tools. Use with other tools may result in a risk of fire, electric shock, or personal injury.

5. CHARGER IS RATED FOR 100-277 VOLT AC ONLY. The charger must be plugged into an appropriate receptacle.

6. UNPLUG CHARGER when not in use. Remove battery packs from unplugged chargers.

7. TO REDUCE THE RISK OF ELECTRIC SHOCK, always unplug the charger before cleaning or maintenance. Do not allow water to flow into AC/DC plug.

Use a Ground Fault Circuit Interrupter (GFCI) to reduce shock hazards.

8. MAINTAIN CHARGER CORD. When unplugging the charger, pull the plug rather than the cord to reduce the risk of damage to the electrical plug and cord. Never carry a charger by its cord. Keep cord from heat, oil, and sharp edges. Make sure the cord will not be stepped on, tripped over, or subjected to damage or stress.

Do not use the charger with a damaged cord or plug.

Have a damaged charger replaced immediately.

9. DO NOT USE AN EXTENSION CORD UNLESS IT IS ABSOLUTELY NECESSARY. Using the wrong, damaged, or improperly wired extension cord could result in the risk of fire and electrical shock. If an extension cord must be used, plug the charger into a properly wired 16 gauge or larger extension cord with pins that are the same number, size, and shape as the pins on the charger. Make sure that the extension cord is in good electrical condition.

10. USE ONLY RECOMMENDED ATTACHMENTS. Use of an attachment not recommended or sold by the battery charger or battery pack manufacturer may result in a risk of fire, electric shock, or personal injury.

11. AVOID DANGEROUS ENVIRONMENTS. Do not charge the battery pack in the rain, snow, damp or wet locations. Do not use a battery pack or charger in the presence of explosive atmospheres (gaseous fumes, dust, or flammable materials) because sparks may be generated when inserting or removing the battery pack, possibly causing the fire.

12. CHARGE IN A WELL-VENTILATED AREA. Do not block charger vents. Keep them clear to allow proper ventilation. Maintain a minimum one-inch clearance to all vents. Do not allow smoking or open flames near a charging battery pack. Vented gases may explode.

13. DO NOT BURN OR INCINERATE BATTERY PACKS. Battery packs may explode, causing personal injury or damage. Toxic fumes and materials are created when battery packs are burned.

14. DO NOT CRUSH, DROP, OR DAMAGE battery pack. Do not use a battery pack or charger that has received a sharp blow, been dropped, run over, or damaged in any way (e.g., pierced with a nail, hit with a hammer, stepped on).

15. DO NOT SHORT CIRCUIT. A short-circuited battery pack may cause fire, personal injury, and product damage. A battery pack will short circuit if a metal object makes a connection between the positive and negative contacts on the battery pack. Do not place a battery pack near anything that may cause a short circuit, such as coins, keys, or nails in your pocket.

16. DO NOT DISASSEMBLE. Incorrect reassembly may result in the risk of electric shock, fire, or exposure to battery chemicals. If it is damaged, take it to a distributor service facility.

17. BATTERY CHEMICALS CAUSE SERIOUS BURNS.

Never allow contact with skin, eyes, or mouth. If a damaged battery pack leaks battery chemicals, use rubber or neoprene gloves to dispose of it. If the skin is exposed to battery fluids, wash with soap and water and rinse with vinegar. If eyes are exposed to battery chemicals, immediately flush with water for 20 minutes and seek medical attention. Remove and dispose of contaminated clothing.

18. STORE YOUR BATTERY PACK AND CHARGER in a cool, dry place. Do not store battery packs where temperatures may exceed 120°F (50°C) such as in direct sunlight, a vehicle, or a metal building during the summer.

19. DO NOT ALLOW FLUIDS TO FLOW INTO THE BATTERY PACK. Corrosive or conductive fluids, such as seawater, certain industrial chemicals, bleach or bleach-containing products, etc., can cause a short circuit.

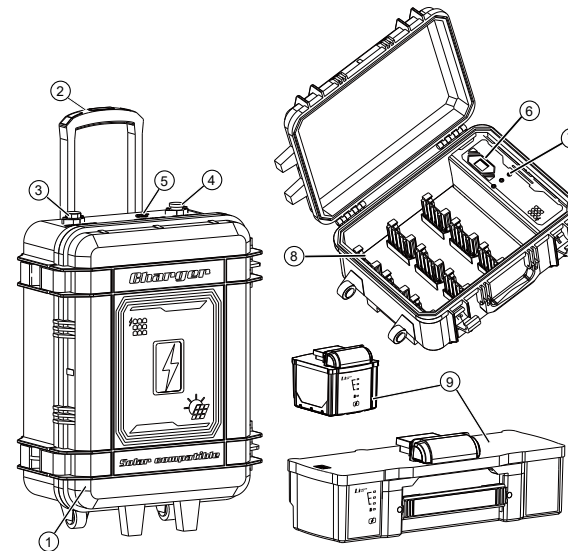
OPERATOR'S MANUAL



WARNING

TO REDUCE THE RISK OF INJURY, USER MUST READ AND UNDERSTAND OPERATOR'S MANUAL.

9 BAY SIMULTANEOUS RAPID CHARGER LITHIUM-ION BATTERY PACK



SYMBOLGY

V	Volts	BFP	Backfeed Protected
— —	Direct Current	Hz	Hertz
~	Alternating Current	A	Amps
	Read Operator's Manual		

FUNCTIONAL DESCRIPTION

- 1 9 Bay Simultaneous Rapid Charger
- 2 Draw-bar Handle
- 3 AC Input
- 4 Solar Input
- 5 DC Input
- 6 Solar Input Display
- 7 AC Input Indicator
- 8 Charging Dock
- 9 D24 Series Li-ion Battery Pack

IMPORTANT SAFETY INSTRUCTIONS

SAVE THESE INSTRUCTIONS



WARNING

Read and understand all instructions. Failure to follow all instructions listed below, may result in electric shock, fire and/or serious personal injury.

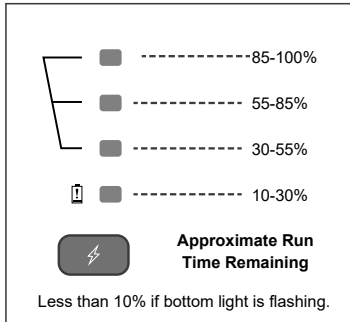
1. THIS MANUAL CONTAINS IMPORTANT SAFETY AND OPERATING INSTRUCTIONS FOR THE 9 BAY SIMULTANEOUS RAPID CHARGER AND LI-ION BATTERY PACKS.

2. BEFORE USING THE BATTERY PACK AND CHARGER, READ THIS OPERATOR'S MANUAL, YOUR TOOL OPERATOR'S MANUAL, AND ALL LABELS ON THE BATTERY PACK, CHARGER, AND TOOL.

3. CAUTION TO REDUCE THE RISK OF INJURY, CHARGE LITHIUM-ION BATTERIES PACK ONLY IN 9 BAY SIMULTANEOUS RAPID CHARGERS. Other types of batteries may burst to cause personal injury and damage. Do not wire a battery pack to a power supply plug or car cigarette lighter. Batteries will be permanently disabled or damaged.

LITHIUM-ION BATTERY PACKS

FUEL GAUGE



Use the Fuel Gauge to determine the battery pack's remaining run time. The power indicators keep on during charging. Turn it off after charging. Press the Fuel Gauge button to display the lights.

NOTE: If the Fuel Gauge doesn't appear to be working, place the battery pack on the charger and charge as needed.

Charge the battery pack.

NOTE: Immediately after using the battery pack, the Fuel Gauge may display a lower charge than it will if checked a few minutes later. The battery cells "recover" some of their charges after resting.

BATTERY PACK PROTECTION

To protect itself from damage and extend its life, the battery pack's intelligent circuit monitors current draw and temperature.

Fuel Gauge Lights	Diagnosis	Solution
Lights 1 - 4 Solid	Remaining run time	Continue working
Only the red light on	Less than 10% run time left	Prepare to charge pack

In extremely high torque, binding, stalling, and short circuit situations, the battery pack will turn OFF the tool if the current draw becomes too high.

Under extreme circumstances, the internal temperature of the battery could become too high.

If this happens, the tool will not run. Allow the battery to cool down.

COLD WEATHER OPERATION

Lithium-ion Battery Packs are designed to operate in temperatures below freezing. When the battery pack is too cold, it may need to warm up before normal use. Put the battery on a tool and use the tool in a light application. It may "buzz" for a short time until it warms up. When the buzzing stops, use the tool normally.



WARNING To reduce the risk of fire, personal injury, and product damage due to a short circuit, never immerse your tool, battery pack, or charger in fluid or allow fluid to flow inside them. Corrosive or conductive fluids, such as seawater, certain industrial chemicals, and bleach or bleach-containing products, etc., can cause a short circuit.

TRANSPORT

Personal transport of Li-Ion battery packs is allowed when done in accordance with these warnings and instructions. The proper classification, packaging, labeling, marking, and documentation requirements for shipping Li-Ion batteries is dependent upon whether the particular batteries are rated greater than or less than 100 Wh. Generally, Li-Ion batteries rated 100 Wh or less are "excepted" from certain Class 9 DG requirements. Always check compliance of Li-Ion battery consignments against the current regulations governing the chosen mode of transport. When in doubt, contact the carrier or other trained Dangerous Goods professional to confirm acceptability. Li-Ion packs are shipped under classification UN 3480 (battery only) or UN 3481 (batteries contained in or packed with equipment).



WARNING To reduce the risk of injury or explosion, never burn or incinerate a battery pack even if it is damaged, dead, or completely discharged. When burned, toxic fumes and materials are created.

9 BAY SIMULTANEOUS RAPID CHARGER



WARNING

Charge only Lithium-ion Battery Packs in this 9 Bay Li-Ion charger. Other types of batteries may cause personal injury and damage.

WHEN TO CHARGE THE BATTERY PACK WITH THIS 9 BAY CHARGER

Remove the battery pack from the tool for charging when convenient for you and your job. Batteries do not develop a "memory" when charged after only a partial discharge. It is not necessary to run down the battery pack before placing it on the charger.

- Use the Fuel Gauge to determine when to charge your Lithium-ion Battery Packs.
- You can "Top-Off" your battery pack's charge before starting a big job or a long day of use.

HOW TO CHARGE THE BATTERY PACK

Align the battery pack with the bay and slide the battery pack into the charging dock as far as possible.

- Charging at least 2 batteries in the meantime!
- Heavily cycled batteries may take longer to charge completely.

AC Input:

- Place the battery pack into the charging slot, and the AC Input Indicator will light up red.
- The charger will keep the battery pack fully charged if left on the charger. The light indicator will be red during this maintenance charging.
- If the light indicator does not come on, check the main power supply.
- If the light indicator comes to green, all battery packs are fully charged.
- A fully discharged battery pack with an internal temperature in the normal range will charge in about 50 minutes, depending on the battery pack and quantity.



Recharging



Fully Charged

MAINTENANCE AND STORAGE

Store your charger in a cool, dry place. As a general practice, it is best to unplug the battery chargers and remove batteries when not in use.

No battery pack damage will occur, however, if the charger and battery pack are left plugged in.

CLEANING

Clean out dust and debris from charger vents and electrical contacts by blowing with compressed air. Use only mild soap and a damp cloth to clean the battery pack and charger, keeping away from all electrical contacts. Certain cleaning agents and solvents are harmful to plastics and other insulated parts.

Some of these include gasoline, turpentine, lacquer thinner, paint thinner, chlorinated cleaning solvents, ammonia and household detergents containing ammonia. Never use flammable or combustible solvents around batteries, chargers, or tools.



WARNING To reduce the risk of injury, always unplug the charger and remove the battery from the charger before performing any maintenance. Never disassemble the battery or charger. Contact a distributor service facility for ALL repairs. To reduce the risk of injury and damage, never immerse your battery or charger in liquid or allow a liquid to flow inside them.