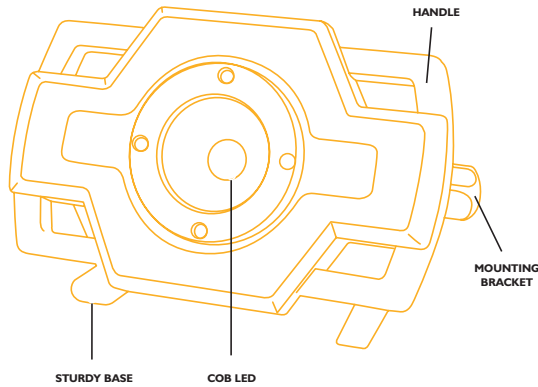


50W LED RECHARGEABLE INDUSTRIAL TASK LIGHT



JCB-IT50 Technical Specification

Input Voltage: 100-240V, 50Hz

Power: 50W

Material: Aluminium

LED: 50W COB

CRI: 70Ra

Power Factor: 0.9

Colour Temperature: 6500K

Life Expectancy: 20,000 hrs

Working Temperature: -10°C - 40°C

Battery: 1 x 14.8V 5200mAh

Charge Time: 5-6 hours

Function: High - Low - Off

PCB Protection: Charging Protection /
Discharging Protection

Charger: 16.8V, 1A, AC/DC

Dimensions: W302 x H197 x D100mm

Weight: 2.5Kg



50W



4000
LUMENS



60°
BEAM ANGLE



IP65



2-2.5 HRS HIGH
7-8 HRS LOW
RUN TIME

