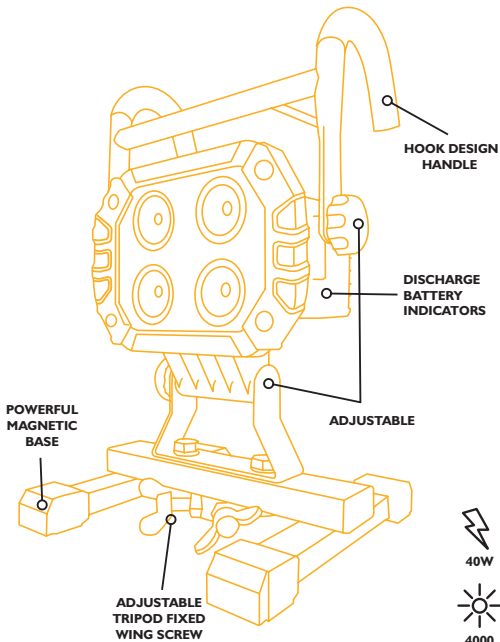


40W LED RECHARGEABLE FLOODLIGHT



JCB-FL40S Technical Specification

Input Voltage: 100-240V, 50Hz

Power: 40W

Material: Iron Stand, Aluminium Alloy & Rubber Coating Head, PC Lens, 4mm Tempered Glass

LED: 4 x 1616 COB Chip

CRI: 70Ra

Power Factor: 0.9

Colour Temperature: 6500K

IK Rating: IK09

Life Expectancy: 20,000 hrs

Working Temperature: -10°C - 40°C

Battery: 1 x 22.2V 4.4Ah

Charge Time: 3-4 hours / battery

Function: 100% - 50% - Off

PCB Protection: Charging Protection / Discharging Protection / High Temperature Protection (70°C)

Battery Indicator: 5 Level Indicator - Green/Green/Green/Amber/Red

Dimensions: W222 x D212 x H358mm

Charger: 25.2V, 2A

Weight: 3.1Kg

